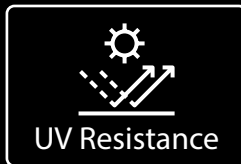
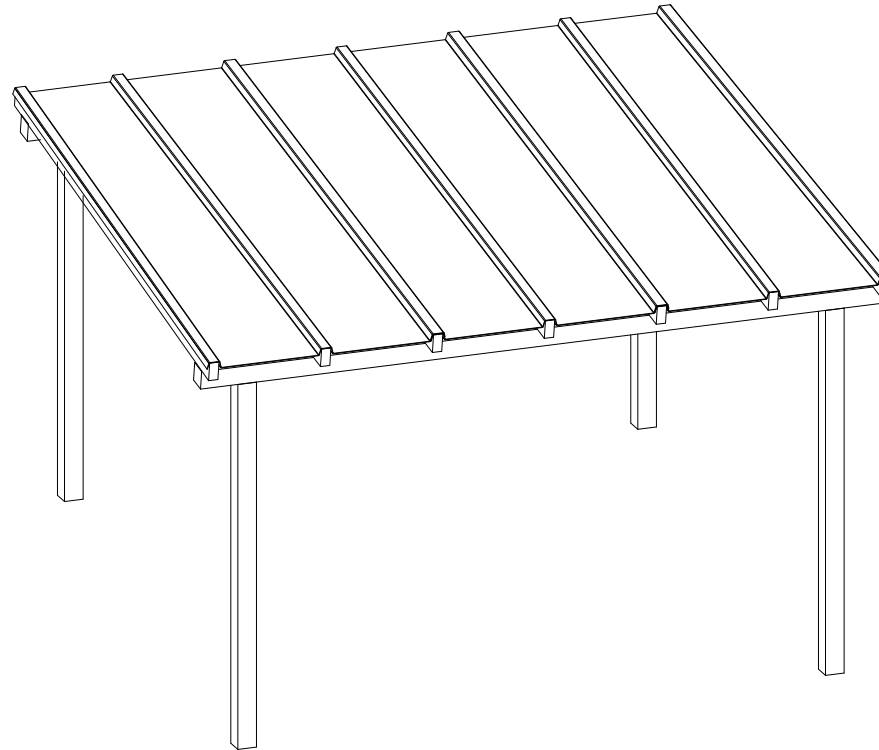





SUNTUF® Ez-Glaze | Installation Guide



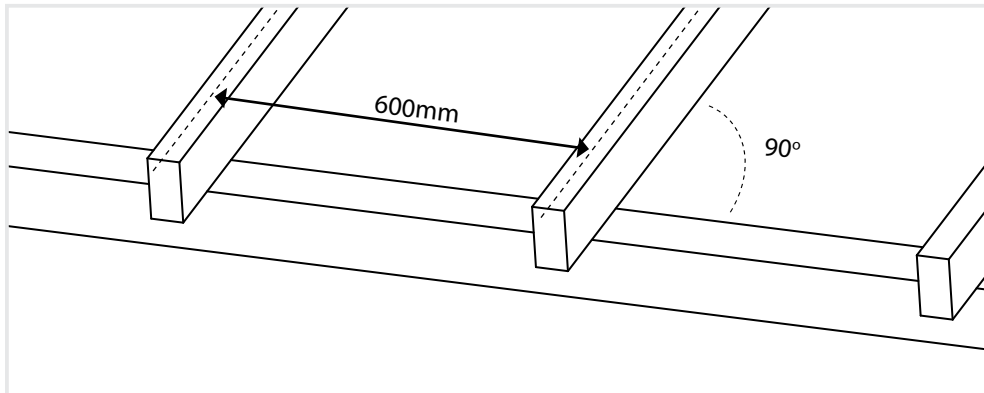
SUNTUF® Ez-Glaze - Product Page 



PALRAM Webseite 

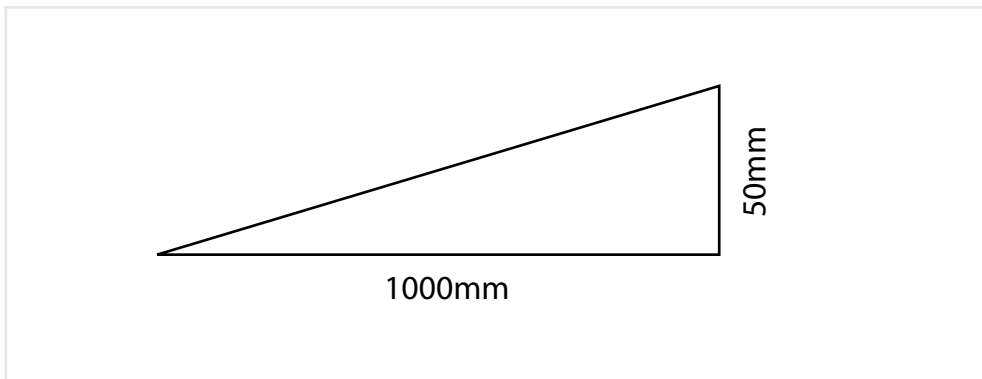
Installation

1 Rafter spacing



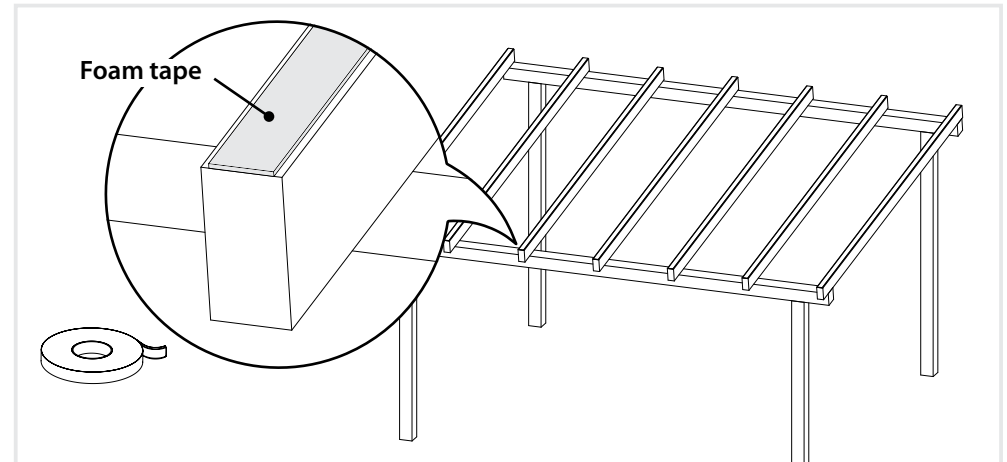
- Distance between rafters must be 600 mm (center to center).
- Make sure the rafters are perfectly perpendicular to the beams/wall.
- SUNTUF EZ-Glaze requires rafters support only, no purlins are required.

2 Minimum Roof Slope



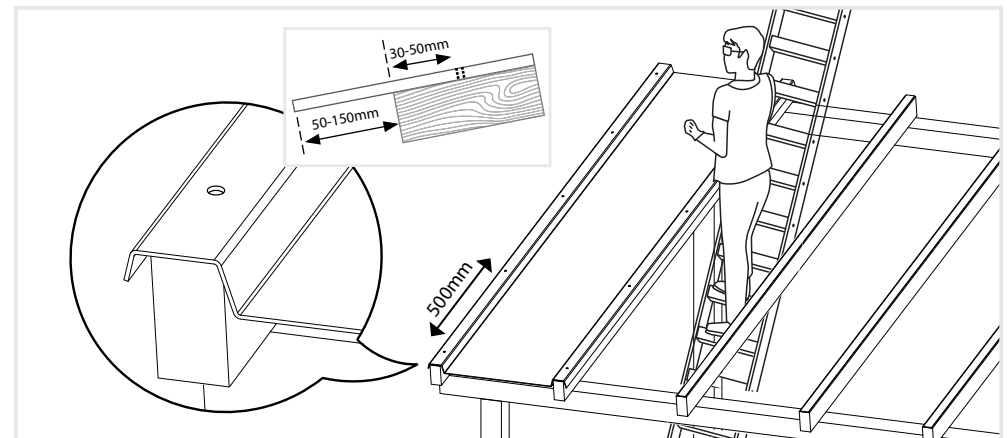
- To ensure proper water runoff, slope should be at least 5% (50mm rise over 1m length).

3 Foamed tape application (optional).



Applying foamed tape on each rafter will reduce friction due to thermal expansion.

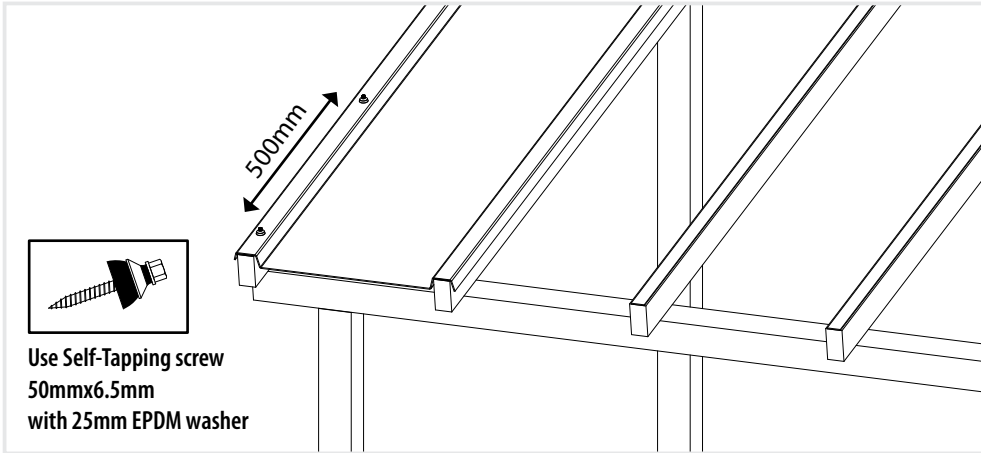
4 Placing the 1st SUNTUF Ez-Glaze panel



- Place the first SUNTUF Ez-Glaze panel on the rafters, leaving 50-150mm overhang.
- Pre-drill 10 mm holes along the outer corrugation, every 500mm.
- 1st and last drills should be located 30mm-50mm from the rafter's top and bottom edges.

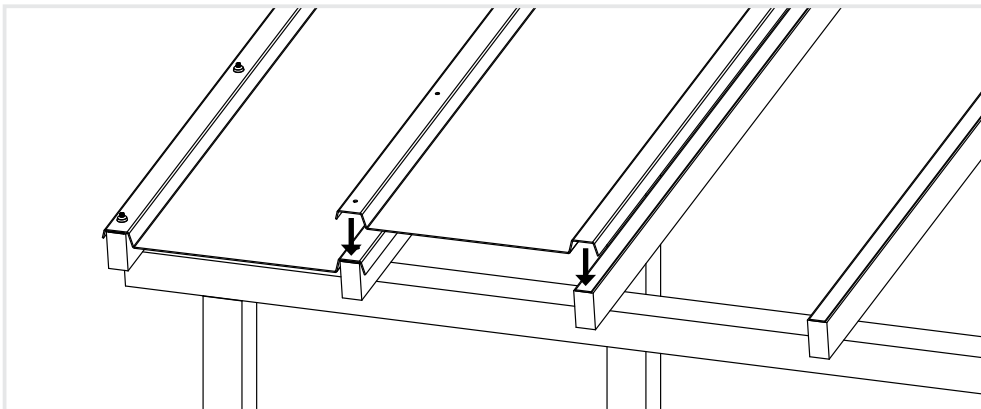
Installation

5 Fixing the 1st SUNTUF Ez-Glaze panel



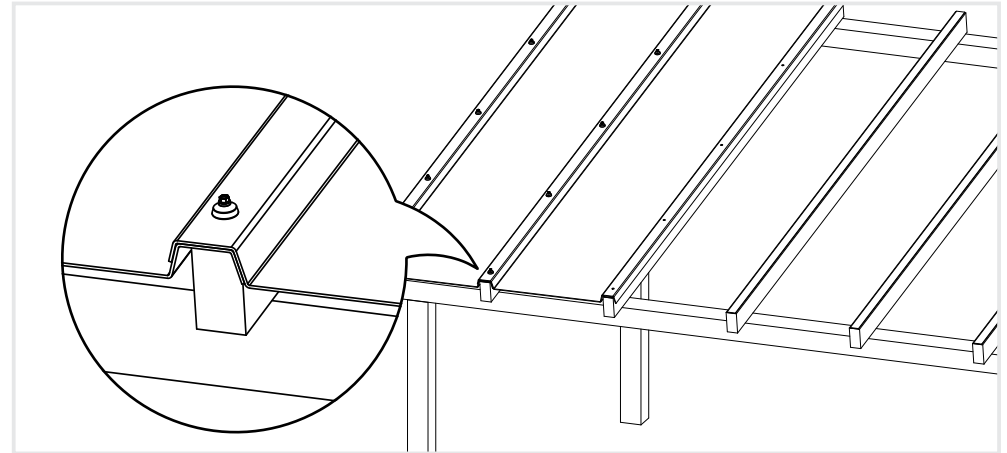
Fix the first SUNTUF Ez-Glaze panel's outer corrugation, using specified screws and washers through the pre-drilled holes. Start at the bottom edge and work your way up.

6 Placing the 2nd SUNTUF Ez-Glaze panel



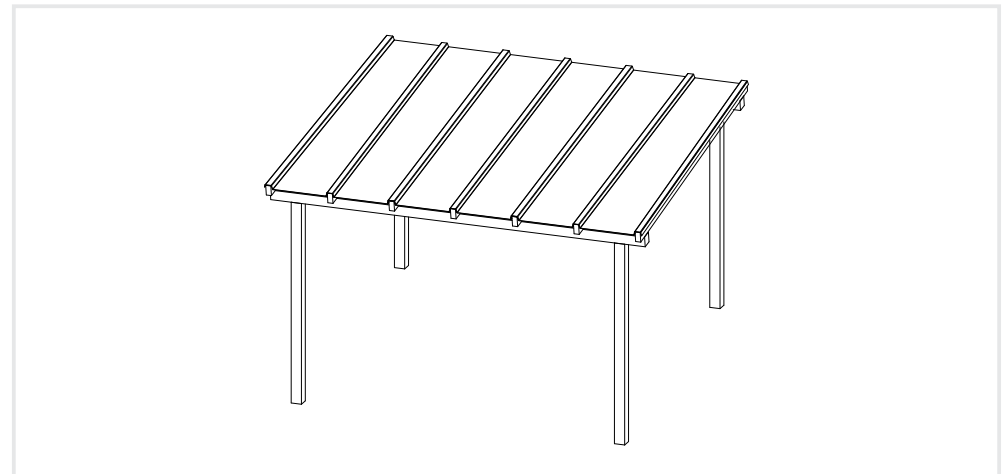
- Place the second panel, lateral overlapping the first one.
- Pre-Drill both panels together on the lateral overlap, every 500mm.

7 Fixing the 2nd SUNTUF Ez-Glaze panel



Fix both panels overlap, using specified screws and washers through the pre-drilled holes. Start at the bottom edge and work your way up.

8 Completing the installation

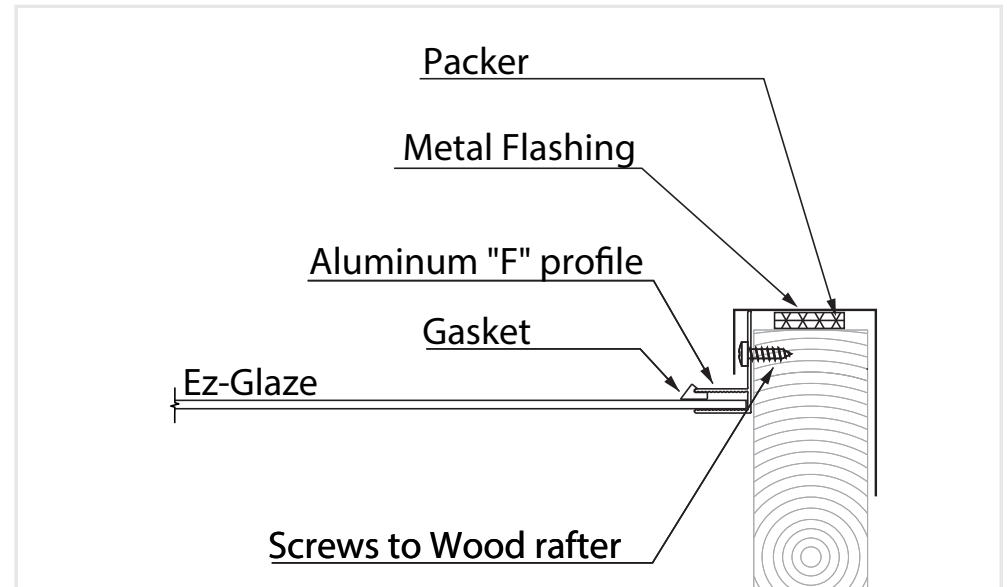
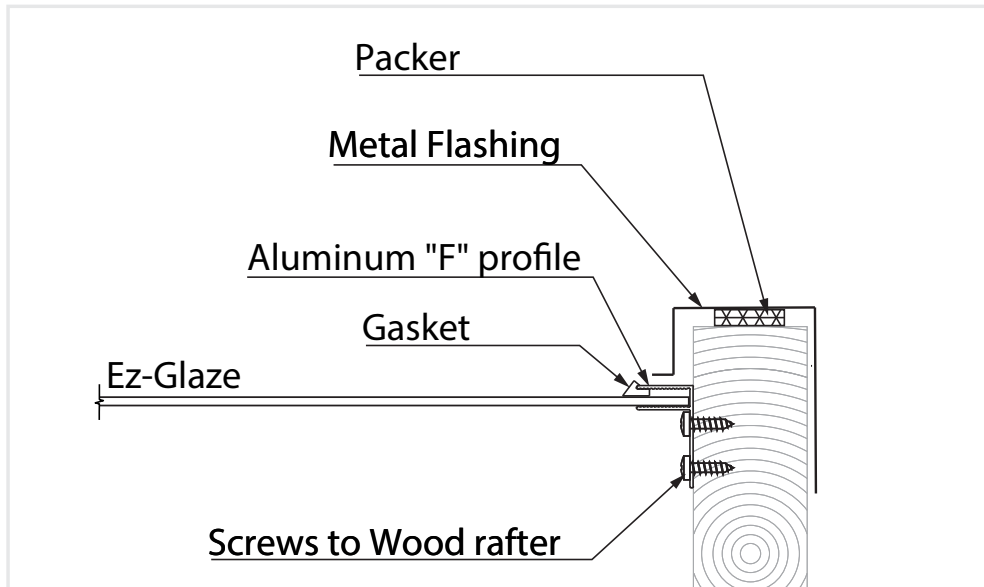


Repeat stage 6 & 7 with the remaining panels.

Installation

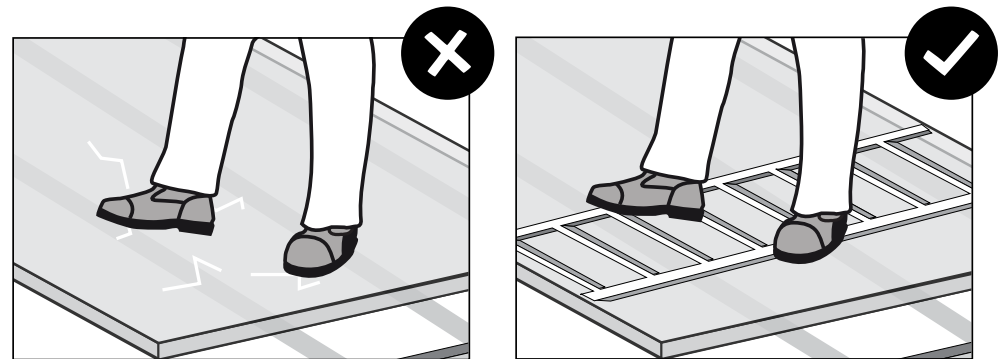
*

Side Wall Flashing in case the panel is trimmed (Not supplied by Palram)



Safety comes first

Do not step directly on the sheets between the rafters!
 When installing SUNTUF Ez-Glaze or doing maintenance work, always use stepping ladders or crawling boards, supported by minimum three roof structural elements.



PALRAM SA/NT
 517A Cross Keys Road
 Cavan SA 5094
 Tel: (08) 8262 2288
 Fax: (08) 8262 3388
 salessa@palram.com

PALRAM NSW/ACT
 Unit 2, 26 Redfern St.
 Wetherill Park, NSW 2164
 Tel: (02)8788 6100
 Fax: (02) 8788 6199
 salesnsw@palram.com

PALRAM QLD
 Unit 9C / 380 Bilsen Road
 Geebung QLD 4034
 Tel: (07) 3172 5581
 Fax: (07) 3172 5516
 salesqld@palram.com

PALRAM VIC/TAS
 34 Buys Court
 Derrimut VIC 3030
 Tel: (03) 9219 4444
 Fax: (03) 9219 4455
 salesvic@palram.com

PALRAM WA
 74 Christable Way
 Landsdale WA 6065
 Tel: (08) 9302 4173
 Fax: (08) 9302 5287
 saleswa@palram.com

