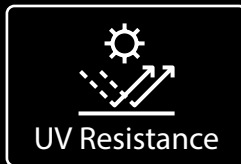
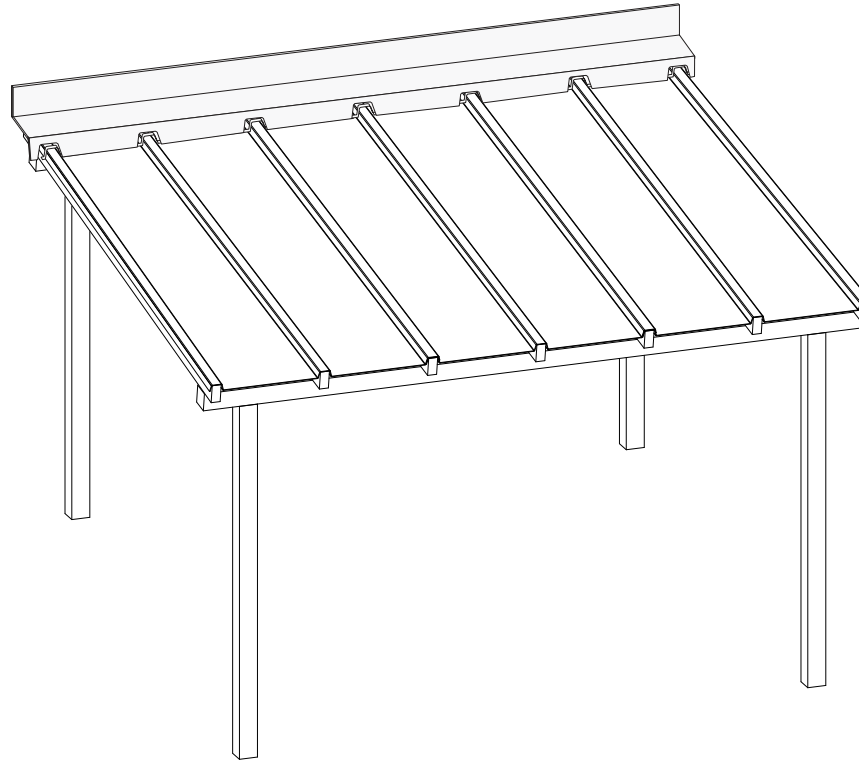




Ez Glaze™ 50 | Installation Guide



Ez Glaze™ - Product Page 



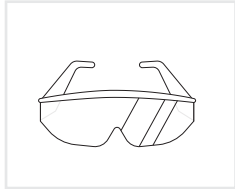
Installations video 



PALRAM Webseite 

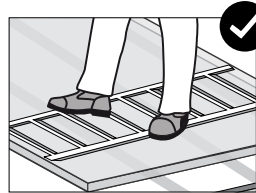
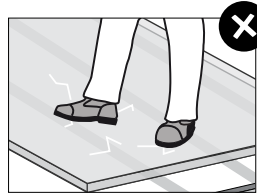
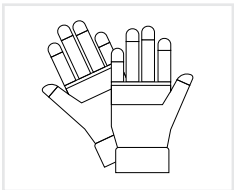
Installation

Safety comes first

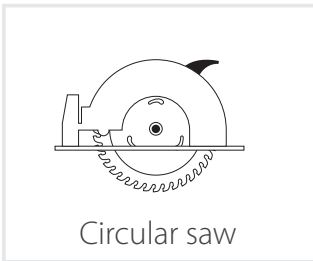
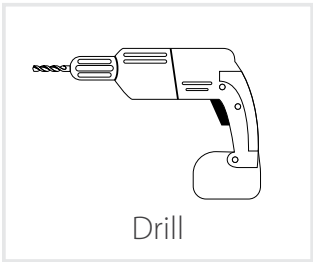


Do not step directly on the sheets between the purlins!

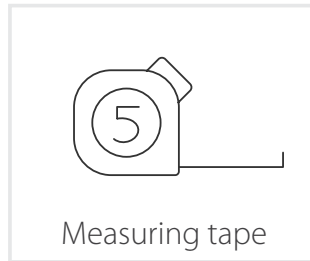
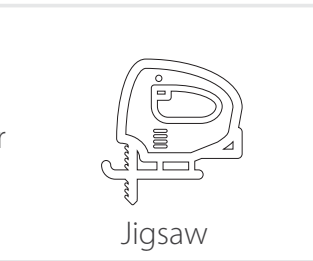
When installing Ez Glaze or doing maintenance work, always use stepping ladders or crawling boards, supported by minimum three roof structural elements.



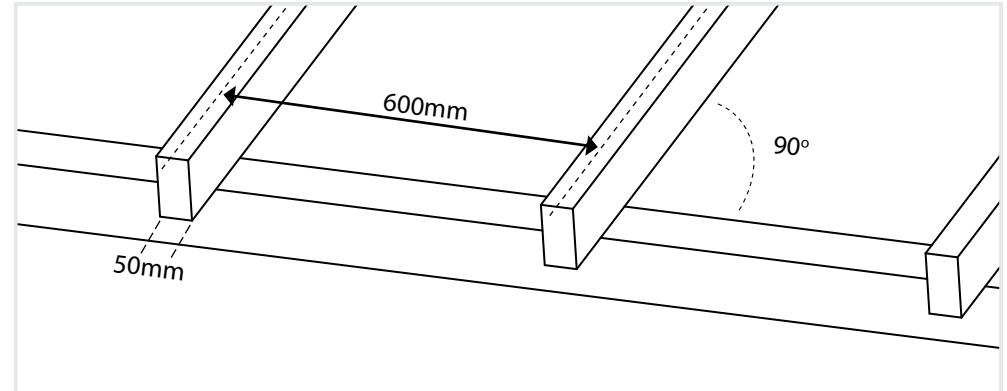
Required Tools



or

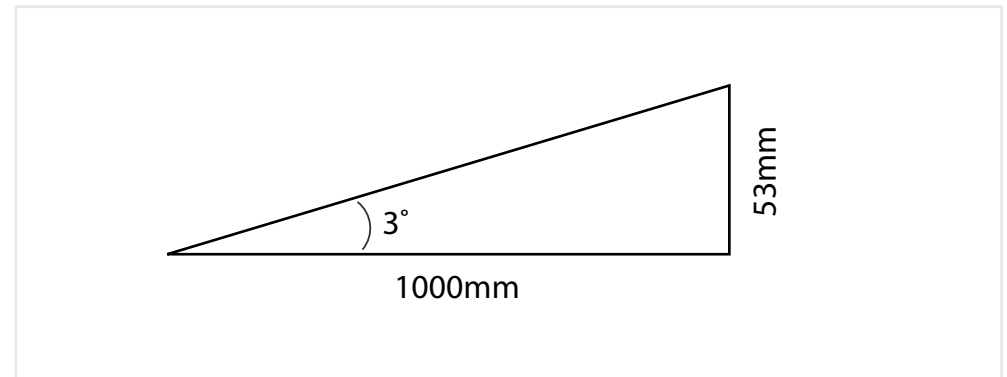


1 Rafter spacing



- Ez Glaze is designed for 50mm rafters.
- Distance between rafters must be 600 mm (center to center).
- Make sure the rafters are perfectly perpendicular to the beams/wall.
- Ez Glaze requires rafters support only, no purlins are required.

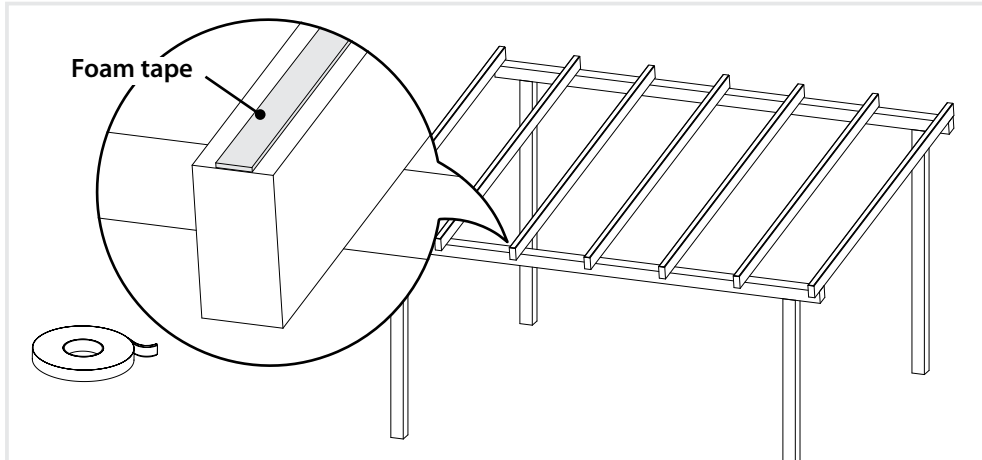
2 Minimum Roof Slope



- To ensure proper water runoff, slope should be at least 3° (53mm rise over 1m length).

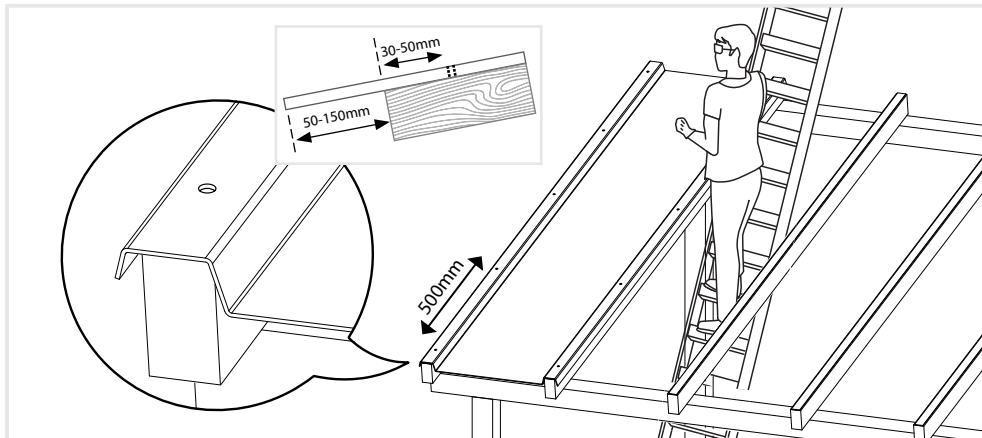
Installation

3 Foamed tape application (optional).



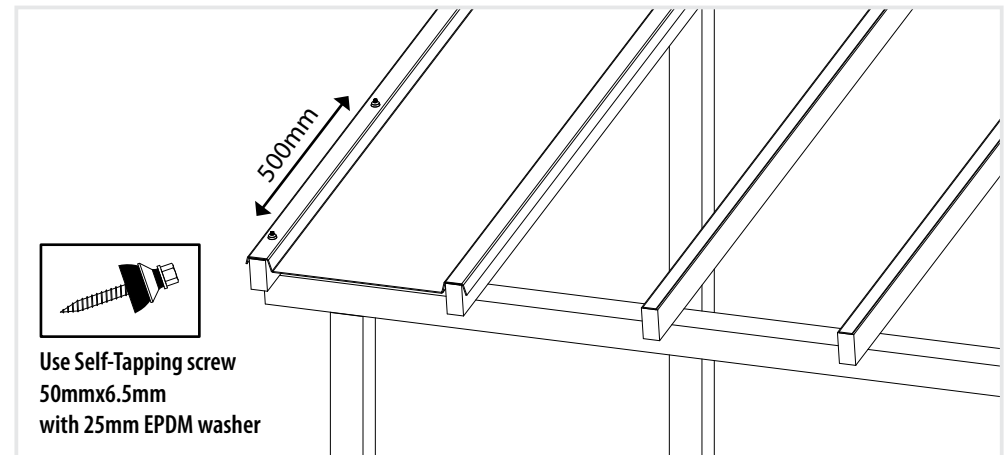
Applying foamed tape on each rafter will reduce friction due to thermal expansion.

4 Placing the 1st Ez Glaze panel



- Place the first Ez Glaze panel on the rafters, leaving 50-150mm overhang.
- Pre-drill 10 mm holes along the outer corrugation, every 500mm.
- 1st and last drills should be located 30mm-50mm from the rafter's top and bottom edges.

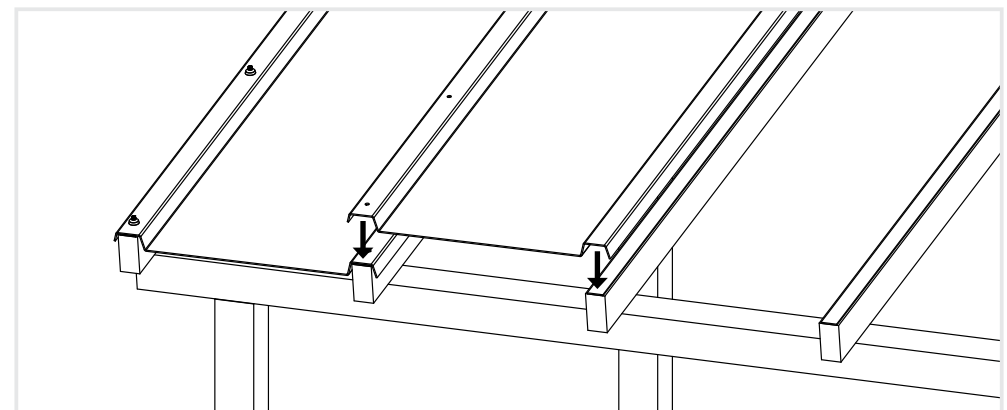
5 Fixing the 1st Ez Glaze panel



Use Self-Tapping screw
50mmx6.5mm
with 25mm EPDM washer

Fix the first Ez Glaze panel's outer corrugation, using specified screws and washers through the pre-drilled holes. Start at the bottom edge and work your way up.

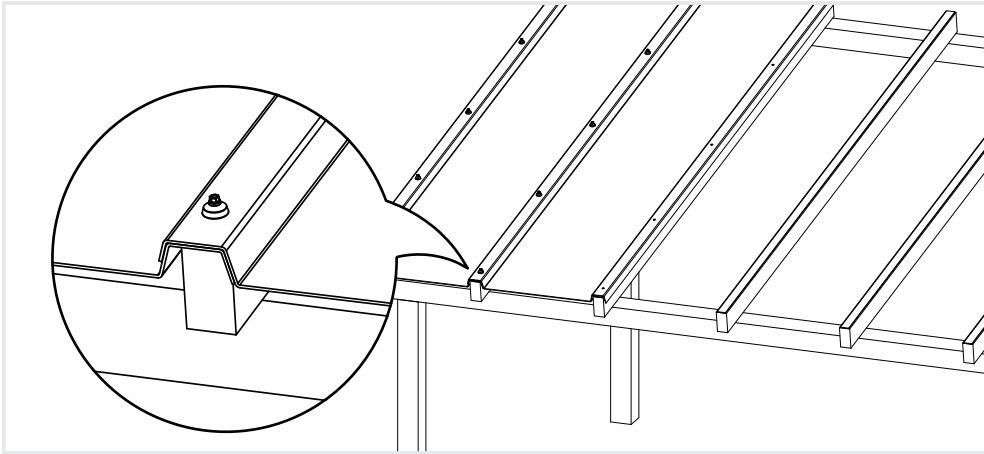
6 Placing the 2nd Ez Glaze panel



- Place the second panel, lateral overlapping the first one.
- Pre-Drill both panels together on the lateral overlap, every 500mm.

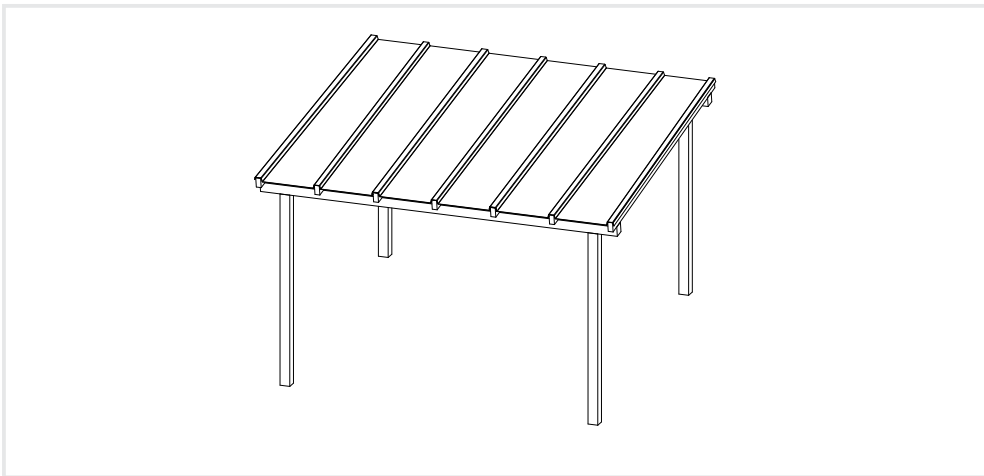
Installation

7 Fixing the 2nd Ez Glaze panel



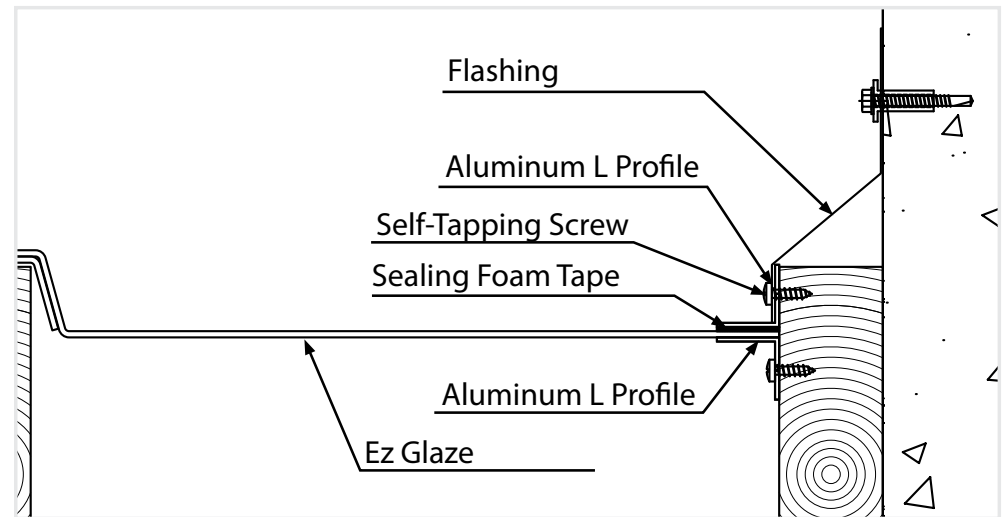
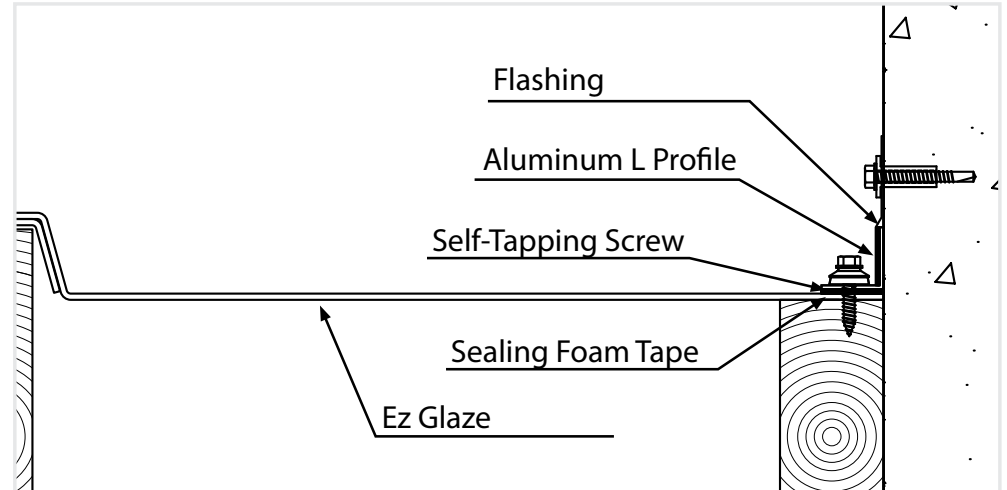
Fix both panels overlap, using specified screws and washers through the pre-drilled holes. Start at the bottom edge and work your way up.

8 Completing the installation



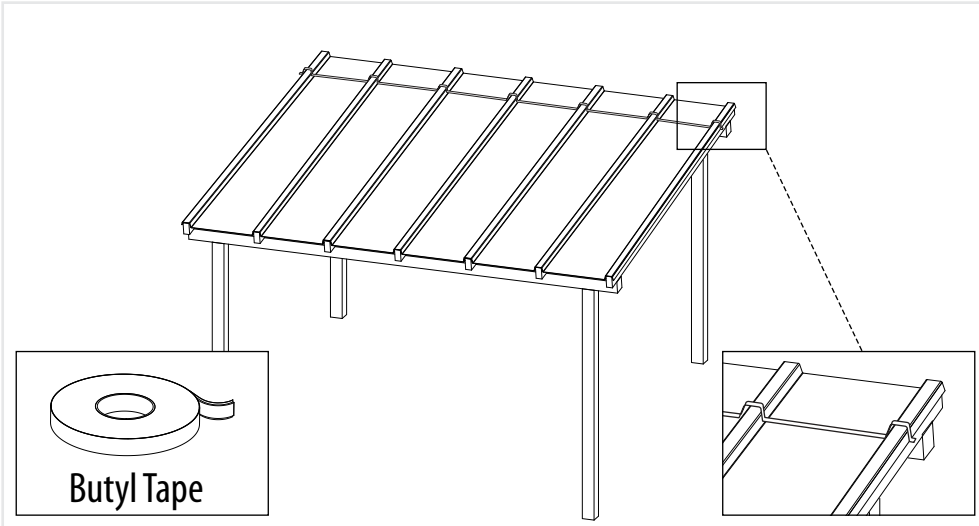
Repeat stage 6 & 7 with the remaining panels.

* Side Wall Flashing in case the panel is trimmed (Not supplied by Palram)

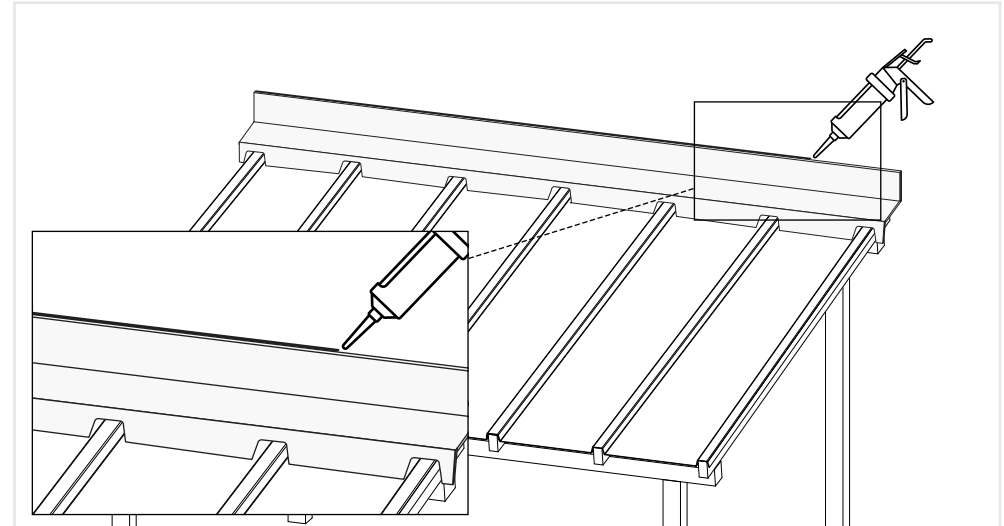


Installation - Finishing

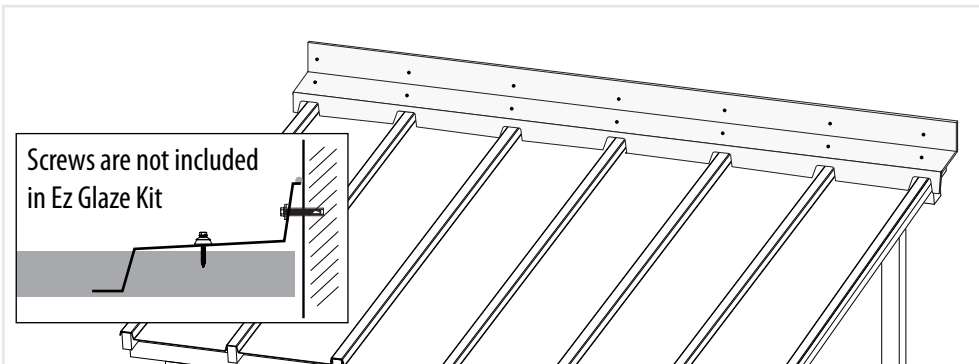
9 Butyl Tape (Not included in Ez Glaze Kit)



11 Silicone (Not included in Ez Glaze Kit)



10 Installing Head Wall Flashing (Not included in Ez Glaze Kit)



PALRAM SA/NT
 517A Cross Keys Road
 Cavan SA 5094
 Tel: (08) 8262 2288
 Fax: (08) 8262 3388
 salessa@palram.com

PALRAM NSW/ACT
 Unit 2, 26 Redfern St.
 Wetherill Park, NSW 2164
 Tel: (02)8788 6100
 Fax: (02) 8788 6199
 salesnsw@palram.com

PALRAM QLD
 Unit 9C / 380 Bilsen Road
 Geebung QLD 4034
 Tel: (07) 3172 5581
 Fax: (07) 3172 5516
 salesqld@palram.com

PALRAM VIC/TAS
 34 Buys Court
 Derrimut VIC 3030
 Tel: (03) 9219 4444
 Fax: (03) 9219 4455
 salesvic@palram.com

PALRAM WA
 74 Christable Way
 Landsdale WA 6065
 Tel: (08) 9302 4173
 Fax: (08) 9302 5287
 saleswa@palram.com

